



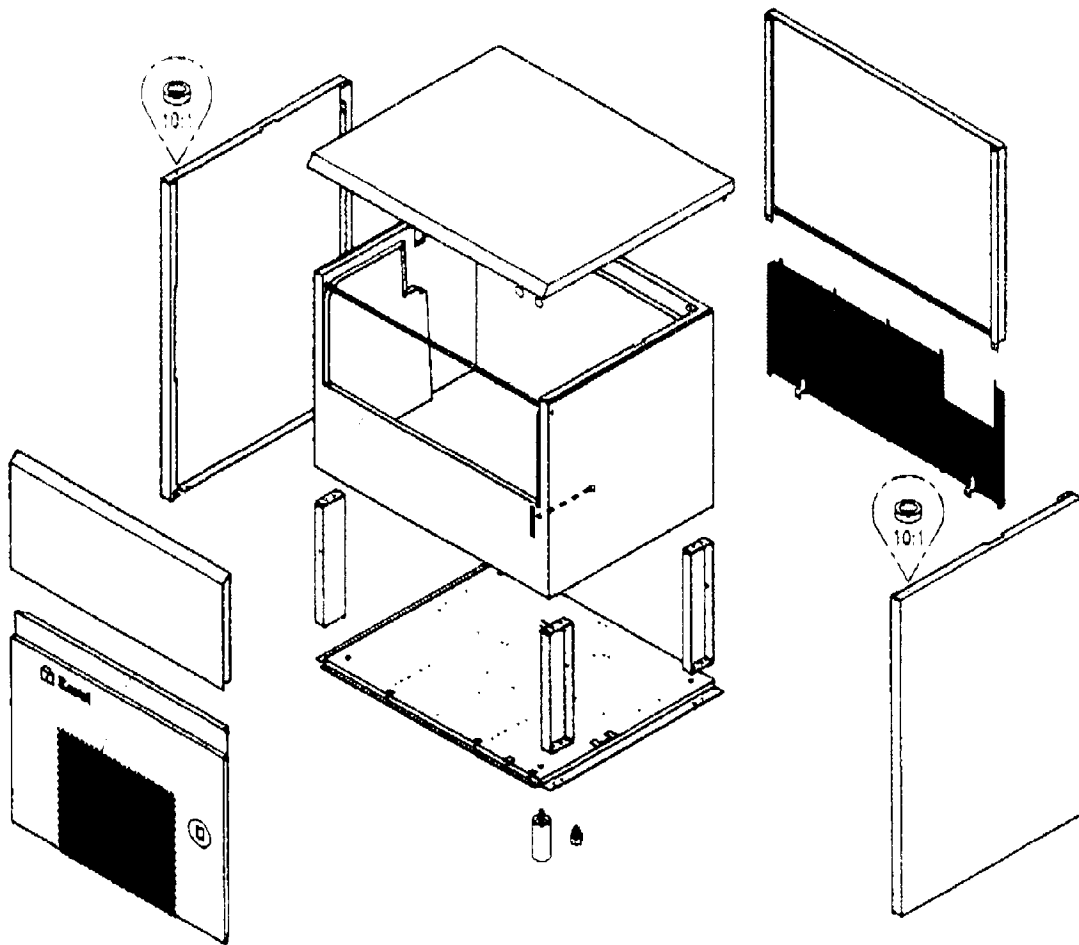
HORECA
EQUIPEMENT
TEL.04/286.12.41
FAX.04/286.47.26

KASTEL

PAGE 55

MACHINES A GLACONS

1





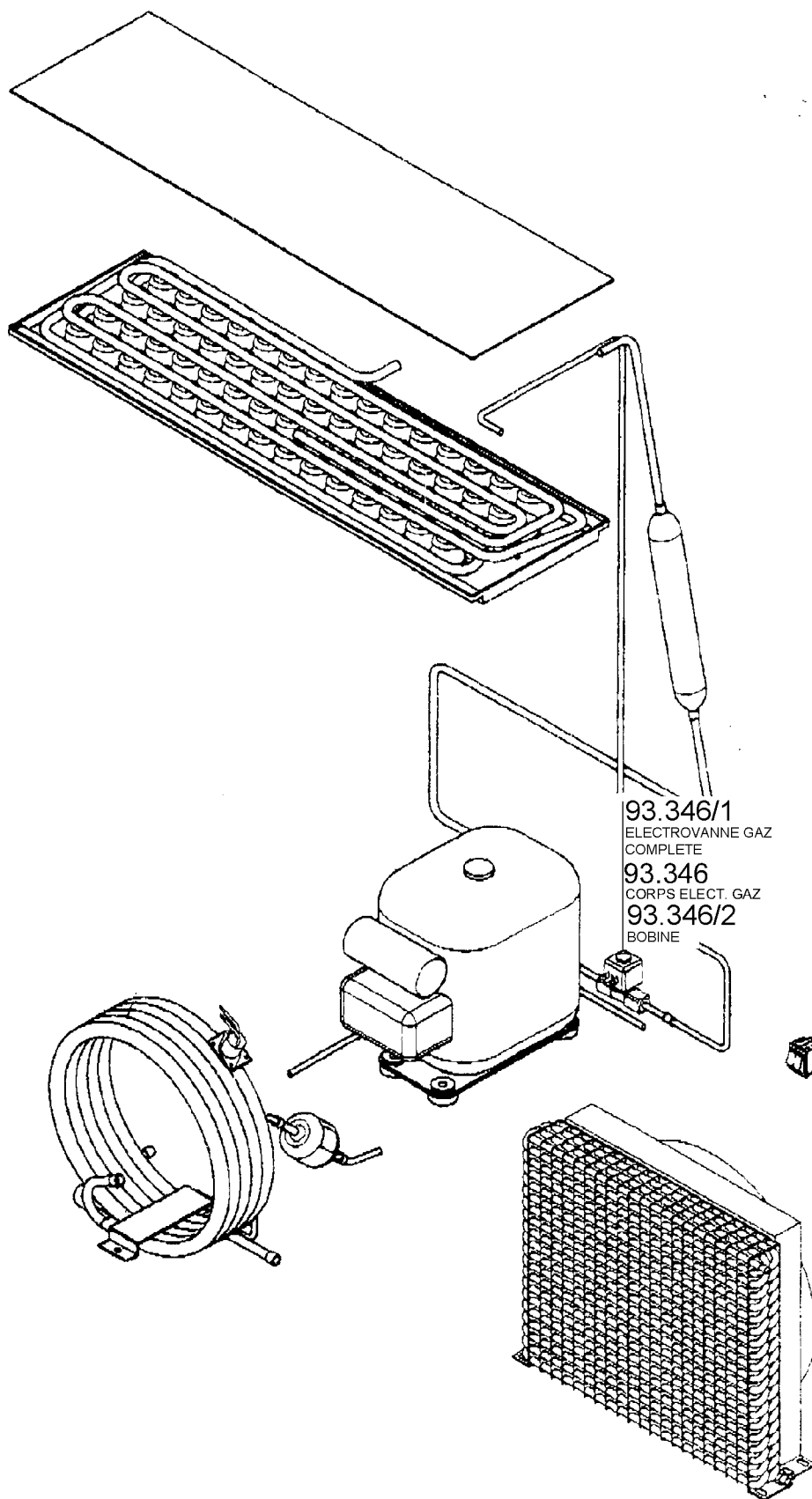
HORECA
EQUIPEMENT
TEL.04/286.12.41
FAX.04/286.47.26

KASTEL

MACHINES A GLACONS

PAGE 56

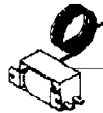
2



93.346/1
ELECTROVANNE GAZ
COMPLETE
93.346
CORPS ELECT. GAZ
93.346/2
BOBINE



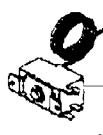
93.491
PRESSOSTAT



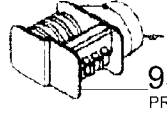
93.492
THERMOSTAT
RESERVE



93.493
THERMOSTAT
EVAPORATION



93.709
PROGRAMMATEUR
12 MIN. 4 CAMES





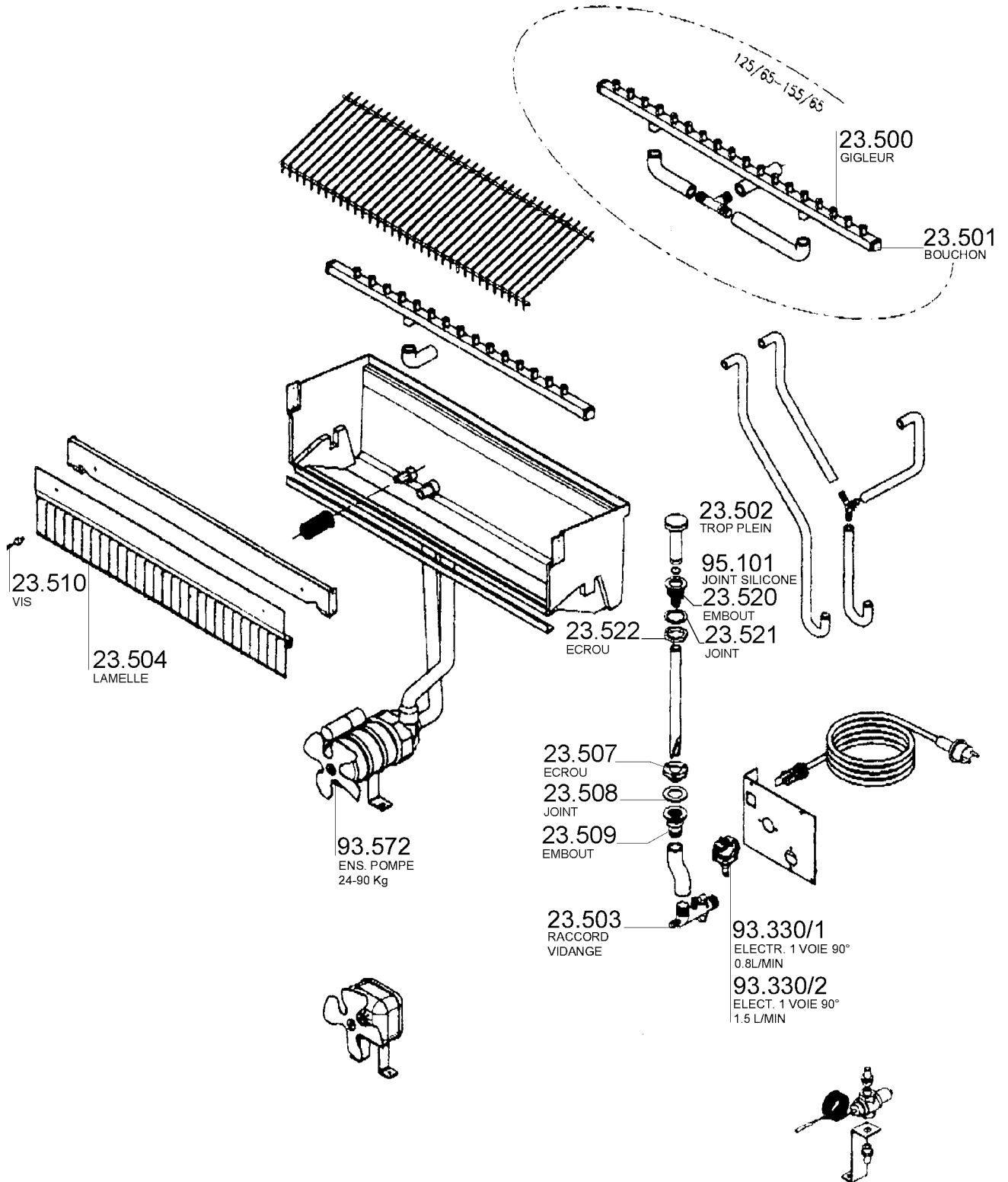
HORECA
EQUIPEMENT
TEL.04/286.12.41
FAX.04/286.47.26

KASTEL

PAGE 57

MACHINES A GLACONS

3





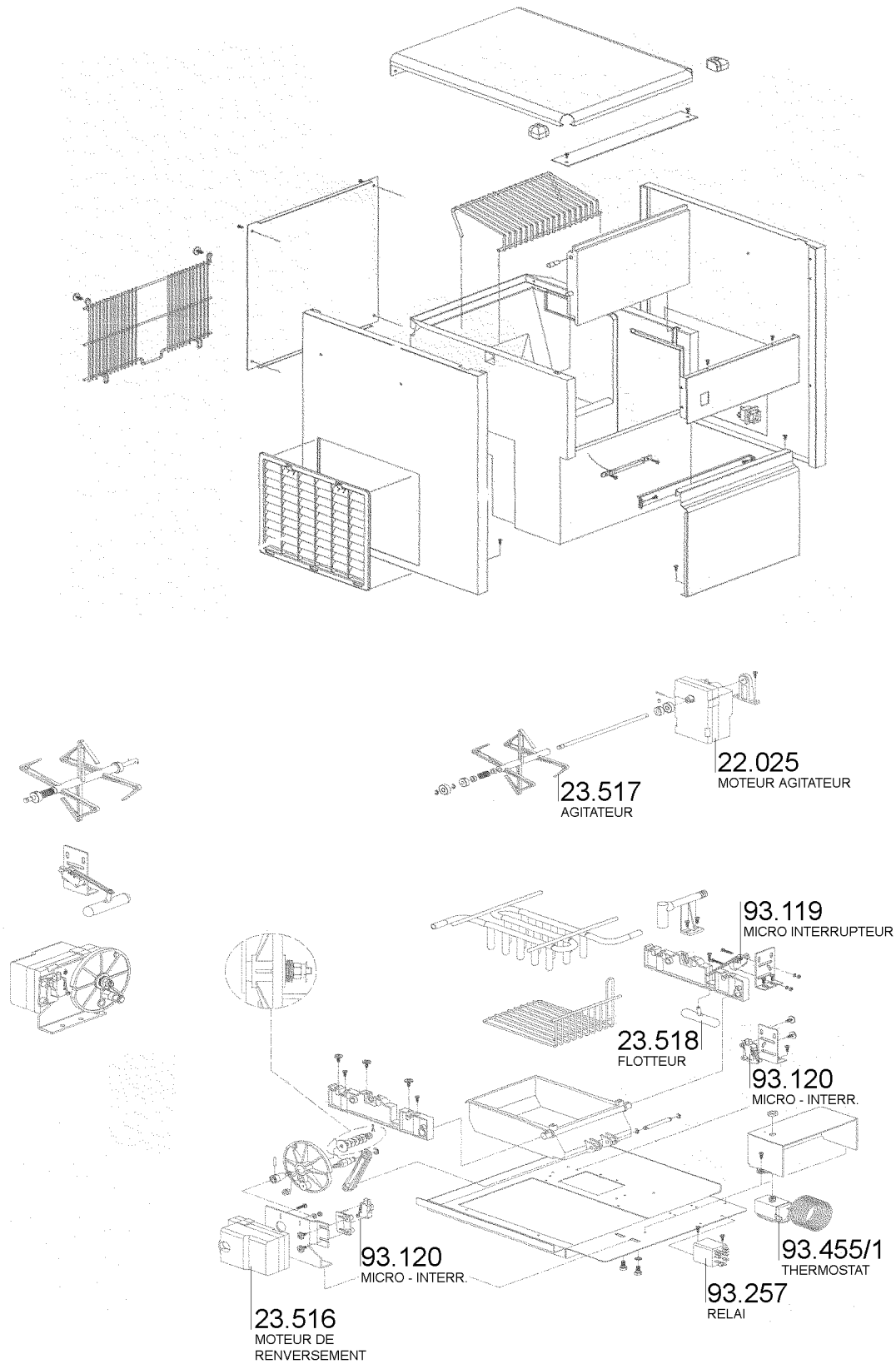
HORECA
EQUIPEMENT
TEL.04/286.12.41
FAX.04/286.47.26

KASTEL

PAGE 57.1

MACHINES A GLACONS

3.1





HORECA
EQUIPEMENT
TEL.04/286.12.41
FAX.04/286.47.26

KASTEL

PAGE 57.2

MACHINES A GLACONS

3.2

