



EQUIPMENT

- 2 racks 50x50 cm, 12/18 plates
- 1 glass rack 50x50 cm
- 2 cutlery baskets
- 1 inlet hose (2 m length)
- 1 drain hose (2,5 m length)

OPTIONALS

- Drain pump
- Electric detergent dispenser
- Electric rinse-aid dispenser
- Kit Rinse booster pump
- Warm water feeding (max. 85 °C)
- Double skinned hood
- Remote control system
- HD Version (Total power 9,55kW, 380-415V3N~/220-240V3 ~ 50 Hz only)
- Boiler heating element 9kW, 380-415V3N~/220-240V3 only
- 60 Hz version

ACCESSORIES FOR WATER TREATMENT

- Integrated water softener unit ("S" model)

ACCESSORIES

- Stainless steel pre-wash tables/exit tables
- Racks special types

INSTALLATION

- Use the screws of the feet and a spirit level to ensure that the machine is levelled

MAIN POWER SUPPLY

- The voltage of main power supply must be compatible with the rated voltage
- The machine must be connected to a suitable earth (ground) system
- Connect the machine power socket to the multi-pole wall switch provided

WATER SUPPLY CONNECTION

- A water softener must be installed if the water is hard
- The water pressure must be between 0.2MPa (2 bar), and, 0.5MPa (5 bar)
- The temperature of the water-supply must be between 10°C to 50°C

TECHNICAL SPECIFICATIONS

- Voltage: **380-415V3N / 220-240V3 / 220-240V**
~ 50 Hz
- Total power : **7,0 kW**
- Amperage: **12 A / 18 A /30 A**
- Power cord supply size :**5x2,5 mmq/3x4 mmq**

GENERAL DETAILS

- Rack dimensions: **50x50 cm**
- Total weight : 130 Kg
- Washing cycles / racks/hour : 60"-120"-180" /
60-30-20
- Possibility of automatic start of washing cycle by closing the hood
- Upper and lower rotating wash/rinse arms with stainless steel tube
- Wash pump: 1000 W
- Boiler capacity: 8 lt
- Tank capacity: 30 lt
- Boiler heating elements: 6,0 kW
- Tank heating elements: 2,8 kW
- Water quantity per cycle: 2.5 lt
- Electronic control panel
- Display for boiler and tank water temperatures
- Useful washing height: 420 mm
- Magnetic hood microswitch
- Automatic filling of water
- Adjustable rinse-aid dispenser
- Hot rinse
- Thermostop-controlled rinse operating temperature
- Anti-Backflow system on the hydraulic circuit included
- Vertical self-cleaning washing pump
- Self-cleaning cycle at the end of working day

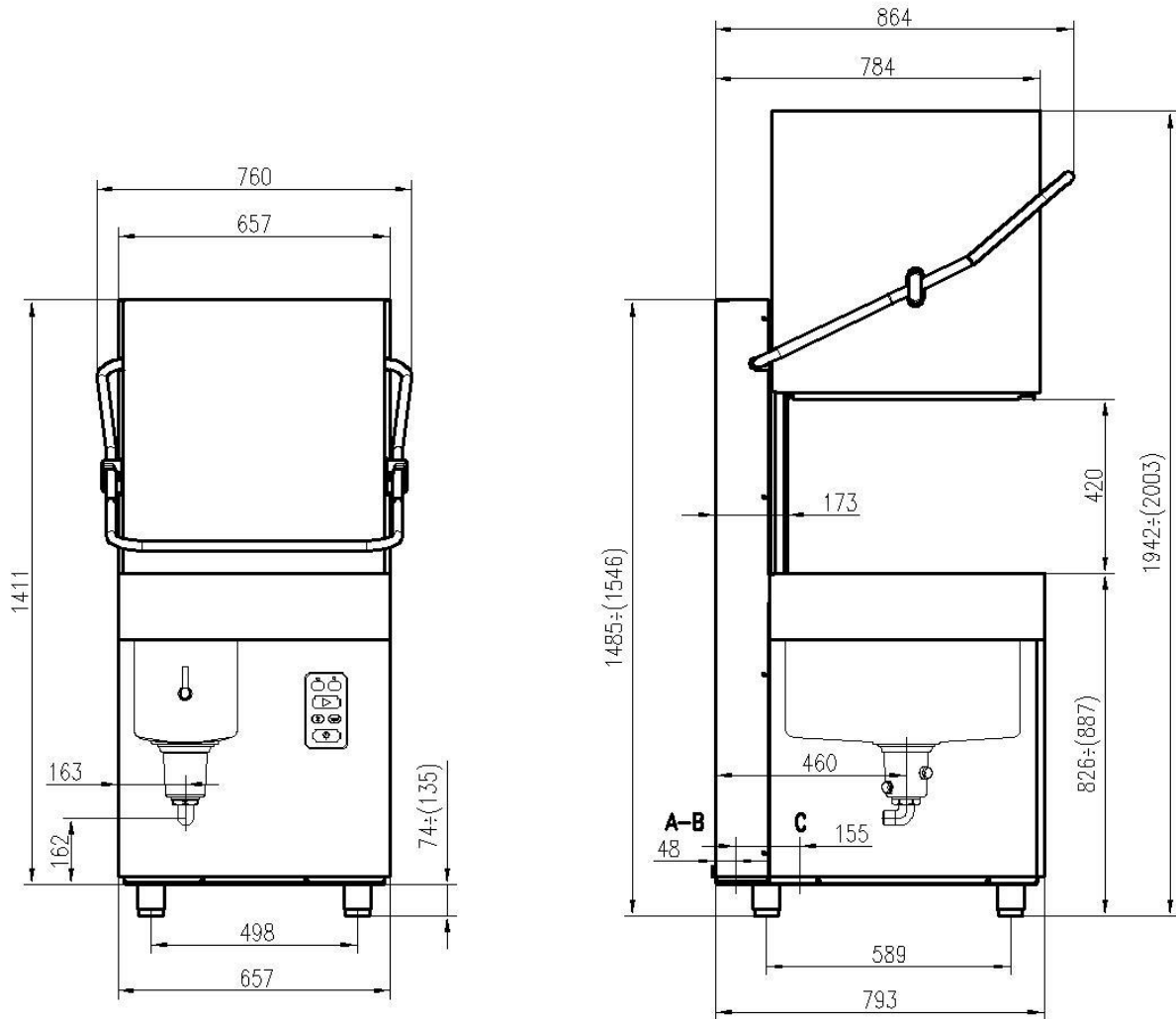
WATER FILTRATION

- Pre-filtering of tank water by means of no. 1 stainless steel filter
- Single wash pump filter, easily removable

BODY

- AISI 304 stainless steel body
- Preformed wash tank with rounded corners
- Single skin hood
- Hood opening system with springs
- Removable upper and lower wash/rinse arms for easy cleaning
- Boiler in AISI 304 stainless steel

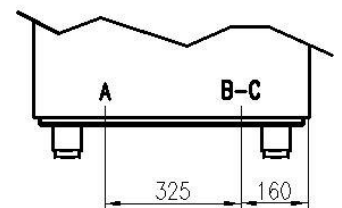
AH 1040 E



A: USCITA CAVO DI ALIMENTAZIONE
OUVERTURE DE PASSAGE CABLE D'ALIMENTATION
EXIT POWER CORD SUPPLY

B: TUBO DI SCARICO Ø INT. mm.28 LUNGHEZZA mm.2000
OUVERTURE DE PASSAGE TUYAU DE VIDANGE Ø INT. 28 mm. L=mm.2000.
EXIT WATER OUTLET PIPE INT. Ø 28 mm. L=mm.2000.

C: CANNA DI CARICO CON ATTACCO G 3/4" LUNGHEZZA mm. 2000.
OUVERTURE DE PASSAGE TUYAU D'ALIMENTATION EAU AVEC CONNEXION G 3/4" L=mm 2000.
WATER INLET PIPE CONNECTION G 3/4" L=mm 2000.



VISTA POSTERIORE
VUE ARRIERE
REAR OF MACHINE

	Min 10°C-MAX 50°C Min 10°C-MAX 25°C with ENERGY RECOVERY
	200±500kPa(2±5 Bar) 100±500kPa(1±5 Bar) with ATMOSPHERIC BOILER
	HARDNESS 5±20f-2.8±11'd